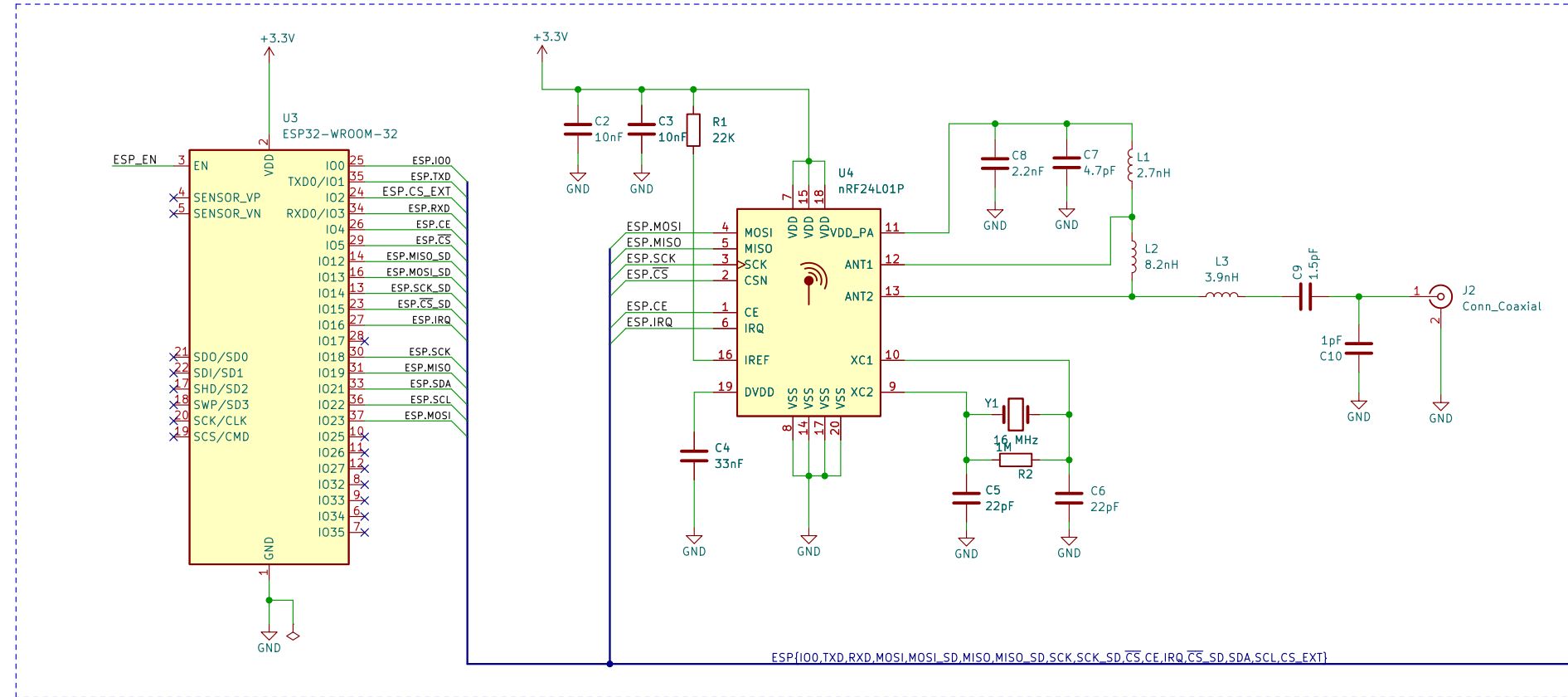
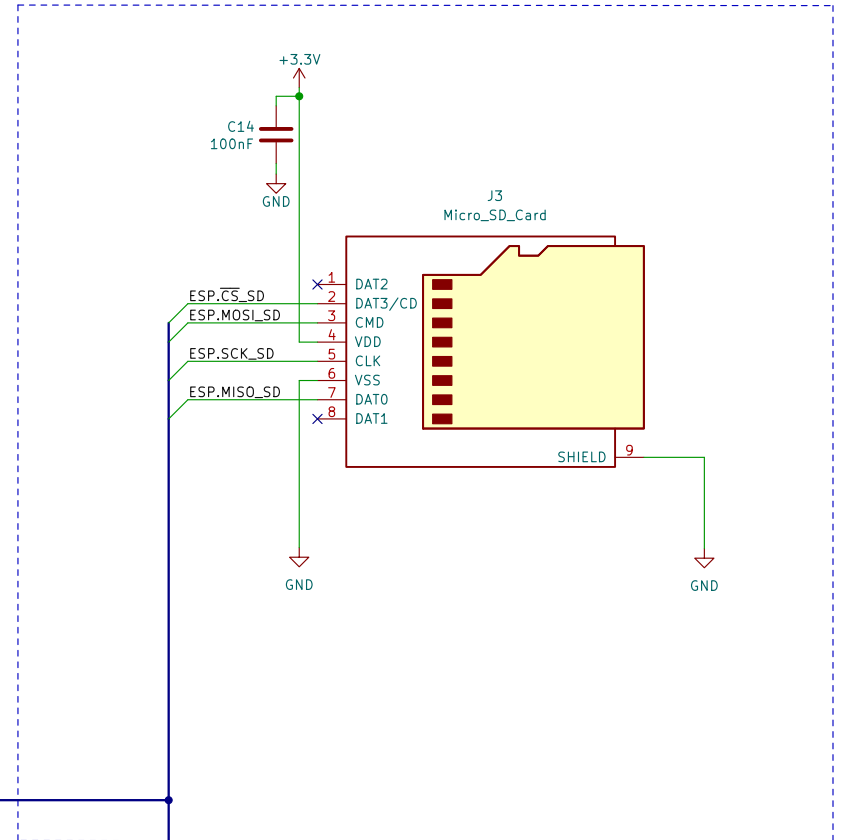


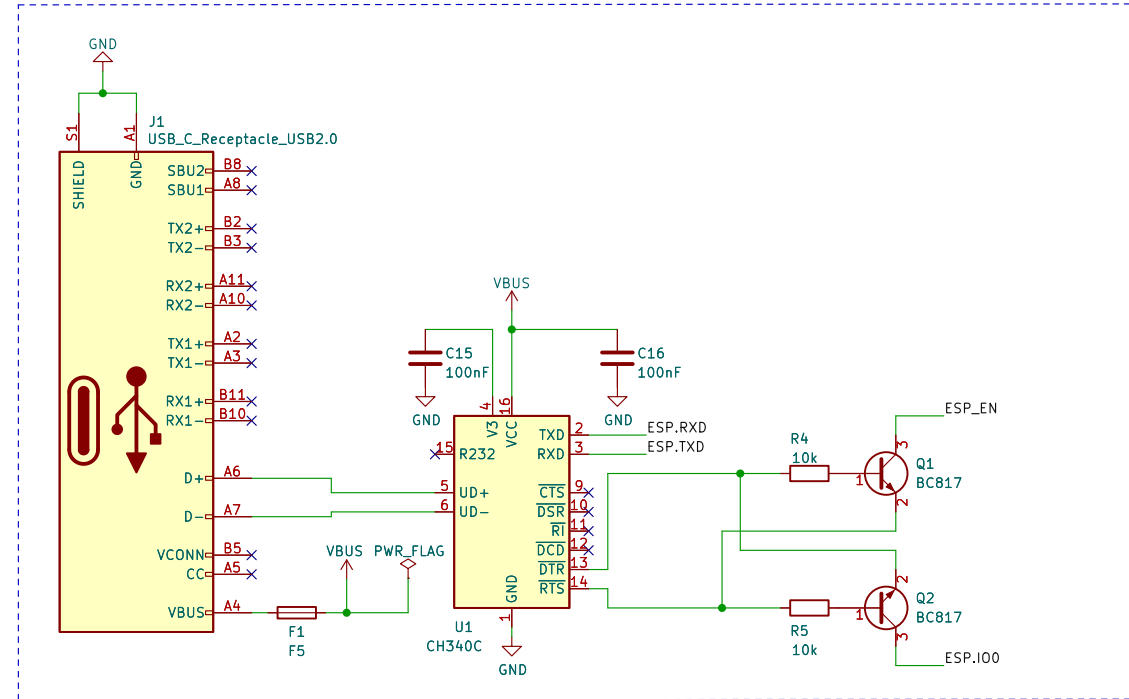
ESP32 and nRF24L01P



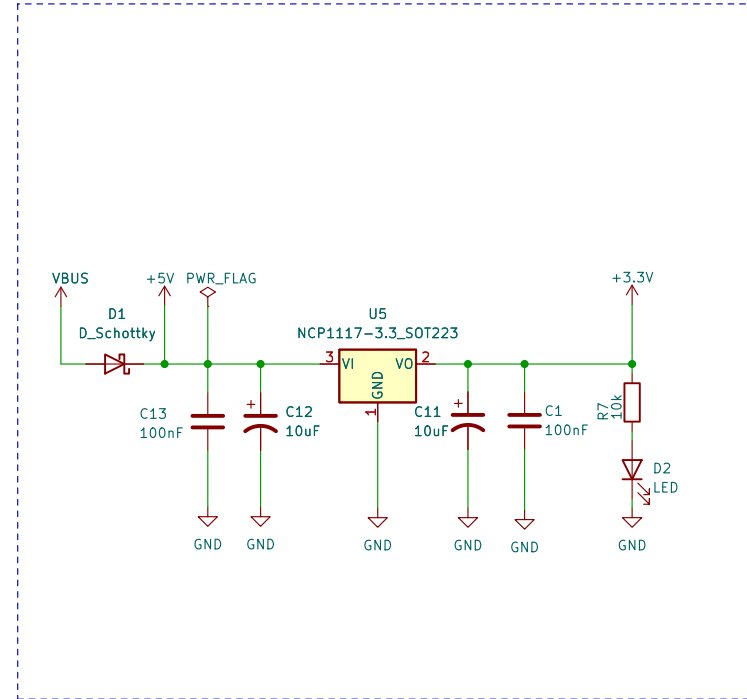
Micro SD Card



USB Seriiell Interface



Power Supply



User Switch Bottom & LED

